



## PROYECTOR LED

**TIPO DE PRODUCTO:** Proyector Led.

**CUERPO:** Aluminio extruido y Tapas de aluminio inyectado ,

**DIFUSOR:** Policarbonato Transparente de alta durabilidad

**DISTRIBUCIÓN DE LUZ:** Simétrica – Directa

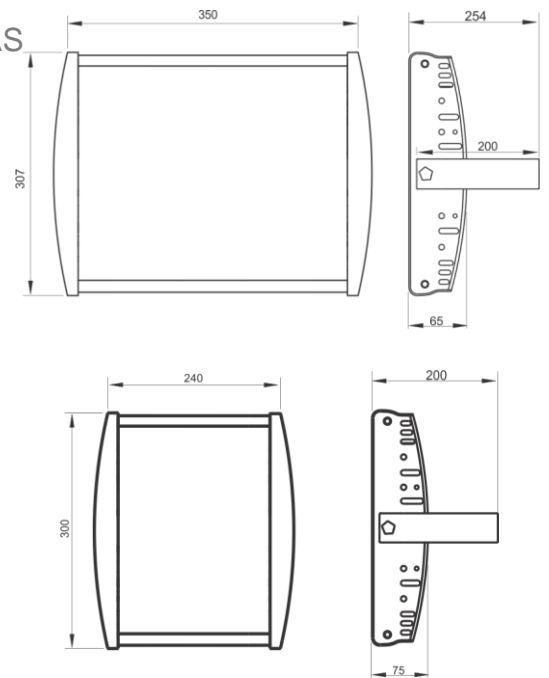
**Accesorios :** Tornillería de acero inoxidable

**Grado de protección:** IP65°

### DETALLES



### MEDIDAS



### COMPONENTES



Lentes ledil



### LÁMPARAS

CÓDIGO	LÁMPARA	ÁNGULO	POT(W)	CRI	TC	LUMENES
M1	LED CREE	25°/50°/65°	70 W	80	5000K	9100 lm
M2	LED CREE	25°/50°/65°	140 W	80	5000K	18200 lm

**VIDA ÚTIL:** 50000 hs

**PESO:** 7.5kg

**.PUEDE TRABAJAR de - 30° a 60°BAJO CERO.**

**OPCIONAL DIMERIZABLE DRIVER DALI**



**IS ILUMINACIÓN SUDAMERICANA**

# LL1x70-E-CC (code:5511904)

**Helvar**

*freedom in lighting*

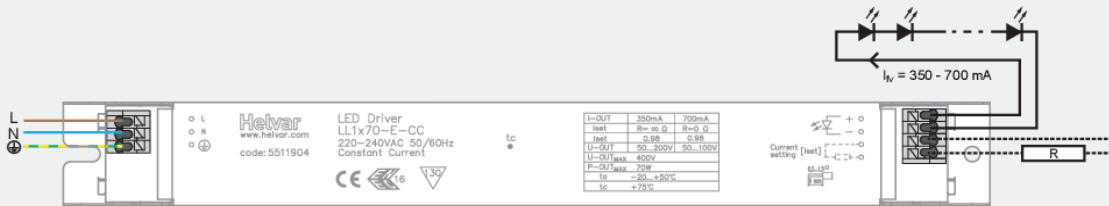
1x70 W **Constant Current** LED driver

**70 W 220-240 VAC 50-60 Hz**

- Short & open circuit protection
- Suitable for class I luminaires
- Adjustable constant current output: 350 (default) to 700 mA
- Maximum 70 W load
- Accept DC mains in case of central emergency battery
- High efficiency > 0.91
- Protected up to 4 kV power network fast transients
- Suitable for Class I luminaires
- Current setting resistor input



## Connections



Note:

- Not suitable for load side switching operation.
- Driver output and current setting circuit are not isolated from mains

For current setting resistor values please refer to page 2

## Mains Characteristics

Voltage range	198 - 264 VAC
DC range	176 - 280 VDC, starting voltage > 195 VDC
Max mains current at full load	0.32 - 0.41 A
Frequency	0 / 50 - 60 Hz
U-OUT <sub>max</sub> [abnormal]	400 V

## Load Output

Output current (I-OUT)	350 (default) to 700 mA
Max output power	70 W
Efficiency, at full load, typical	> 0.91

I-OUT	350 mA	700 mA
P-out (max)	70 W	70 W
U-OUT	50 - 200 V	50 - 100 V
λ	0.98	0.98
η @ max	0.91	0.89

## Operating Conditions and Characteristics

Max. temperature at tc point	75 °C
Ambient temperature range	-20...+50 °C
Storage temperature range	-40...+80 °C
Maximum relative humidity	no condensation
Life time	50 000 h, at TC max (90 % survival rate)

## Connections and Mechanical Data

Wire size	0.5 - 1.5 mm <sup>2</sup>
Wire type	solid core and fine-stranded
Maximum driver to LED wire length	5 m
Weight	227 g
IP rating	IP20

## Conformity & Standards

General and safety requirements	EN 61347-1
Particular safety requirements for d.c. or a.c. supplied electronic controlgear for LED modules, acc. to	EN 61347-2-13
Thermal protection class	EN61347, C5e
Mains current harmonics, acc. to	EN 61000-3-2
Limits for Voltage Fluctuations and Flicker, acc. to	EN 61000-3-3
Radio Frequency Interference, acc. to	EN 55015
Immunity standard, acc. to	EN 61547
Performance requirements, acc. to	EN 62384

Compliant with relevant EU directives  
ENEC & CE marked



**PRODUCT DATASHEET**  
**HighBay series**  
 last update 21/4/2016

**DETAILS**

<b>Product Number</b>	C13232_HB-2X2-VWV
<b>Family</b>	HighBay
<b>Type</b>	Lens array
<b>Color</b>	clear
<b>Diameter</b>	50x50 mm
<b>Height</b>	8,5 mm
<b>Style</b>	square
<b>Optic Material</b>	PMMA
<b>Holder Material</b>	
<b>Fastening</b>	screw, pin, glue
<b>Status</b>	production ready
<b>ROHS Compliant</b>	Yes
<b>Date Updated</b>	21/04/2016



**OPTICAL PROPERTIES**

LED	Viewing	Light	Effi-		Connector
	Angle	Beam	ciency	cd/lm	
XT-E	65 deg	Wide	91 %	0.900	-
XP-G2	69 deg	Wide	91 %	0.700	-
XP-G	69 deg	Wide	91 %	0.800	-
H35C1 (LEMWA33)	68 deg	Wide	89 %	0.800	-
LUXEON Z ES	59 deg	Wide	90 %	1.000	-
LUXEON Q	67 deg	Wide	91 %	0.800	-
LUXEON 3030 2D	sim: 64	Wide	sim: 94 %	sim: 0.960	-
NVSxx19B/NVSxx19C	67 deg	Wide	91 %	0.800	-
NVSxE21A	54 deg	Wide	94 %	1.050	-
Oslon Square PC	63 deg	Wide	91 %	0.863	-
Oslon SSL 80	54 deg	Wide	92 %	1.080	-
Oslon Square Gen3	67 deg	Wide	92 %	0.790	-
LH351A(3535)	68 deg	Wide	92 %	0.800	-
LH351Z	63 deg	Wide	89 %	0.860	-
LH351B	65 deg	Wide	89 %	0.780	-
Z8Y19	56 deg	Wide	85 %	0.880	-
Z8Y15	56 deg	Wide	85 %	0.870	-
TL1L4	60 deg	Wide	84 %	0.870	-
RLE G1 49x223mm 4000lm xxx EXC OTB7 deg		Wide	94 %	0.850	-
RLE G1 49x245mm 4000lm xxx EXC OTB7 deg		Wide	94 %	0.850	-
RLE G1 49x121mm 2000lm xxx EXC OTB7 deg		Wide	94 %	0.850	-
RLE G1 49x133mm 2000lm xxx EXC OTB7 deg		Wide	94 %	0.850	-